

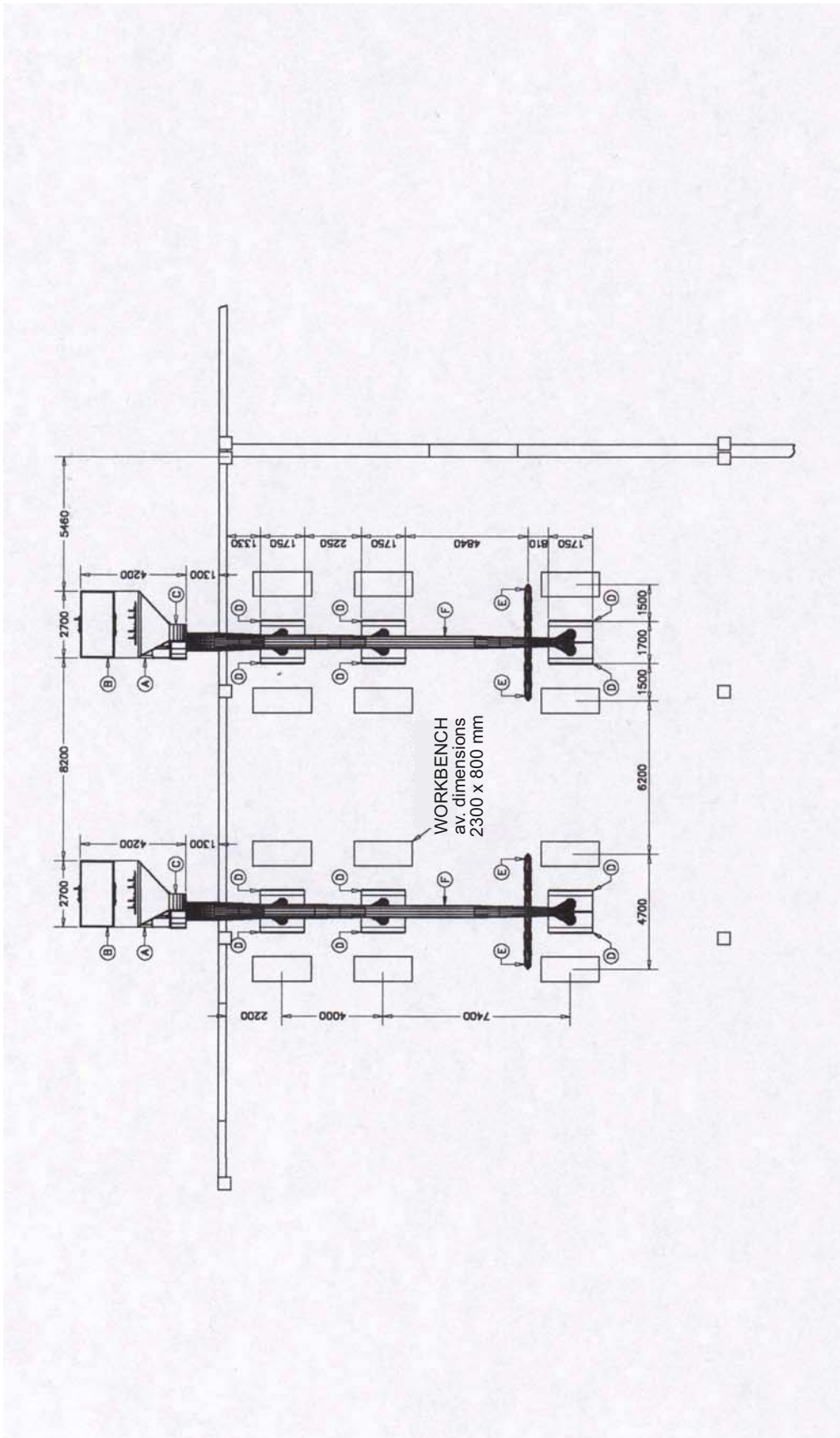
GHINES

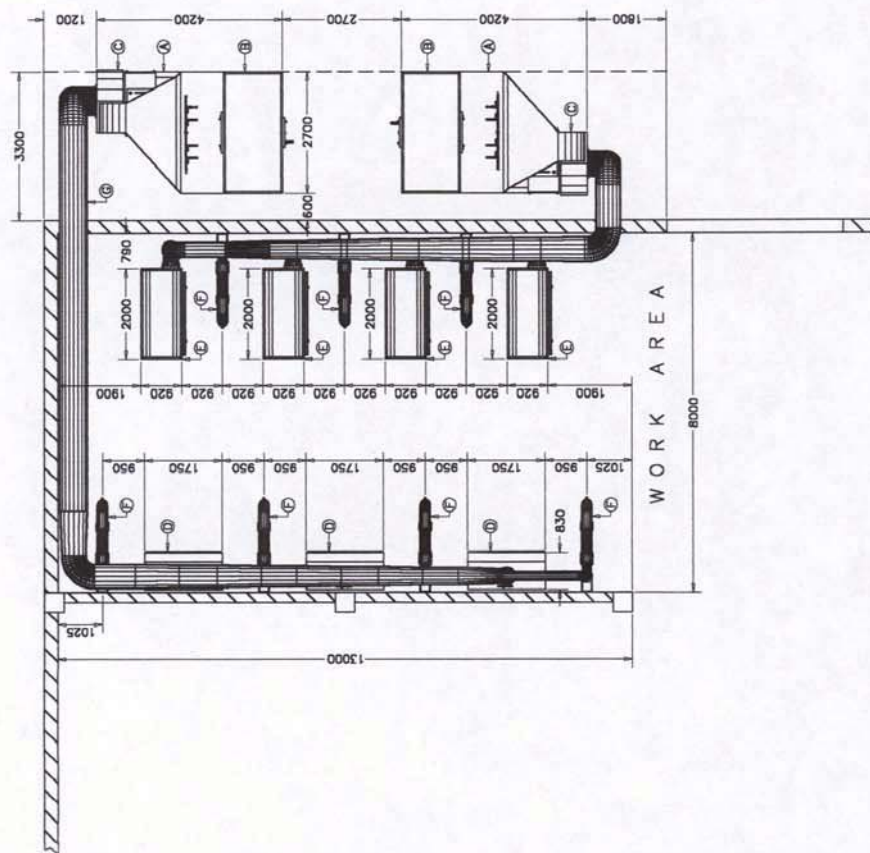
BLUELINE

hydor
centralized unit



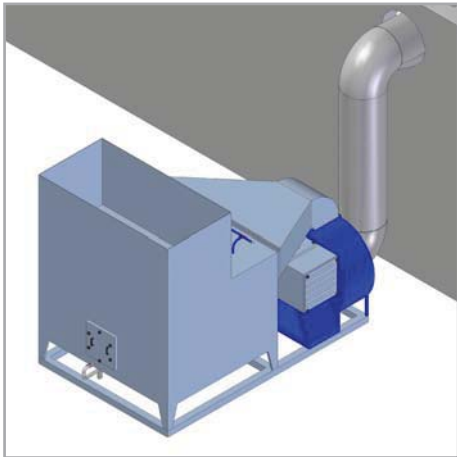
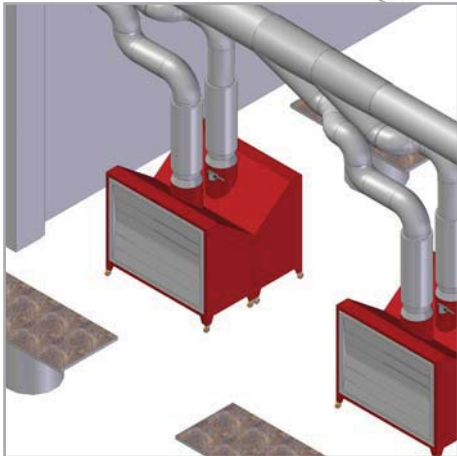
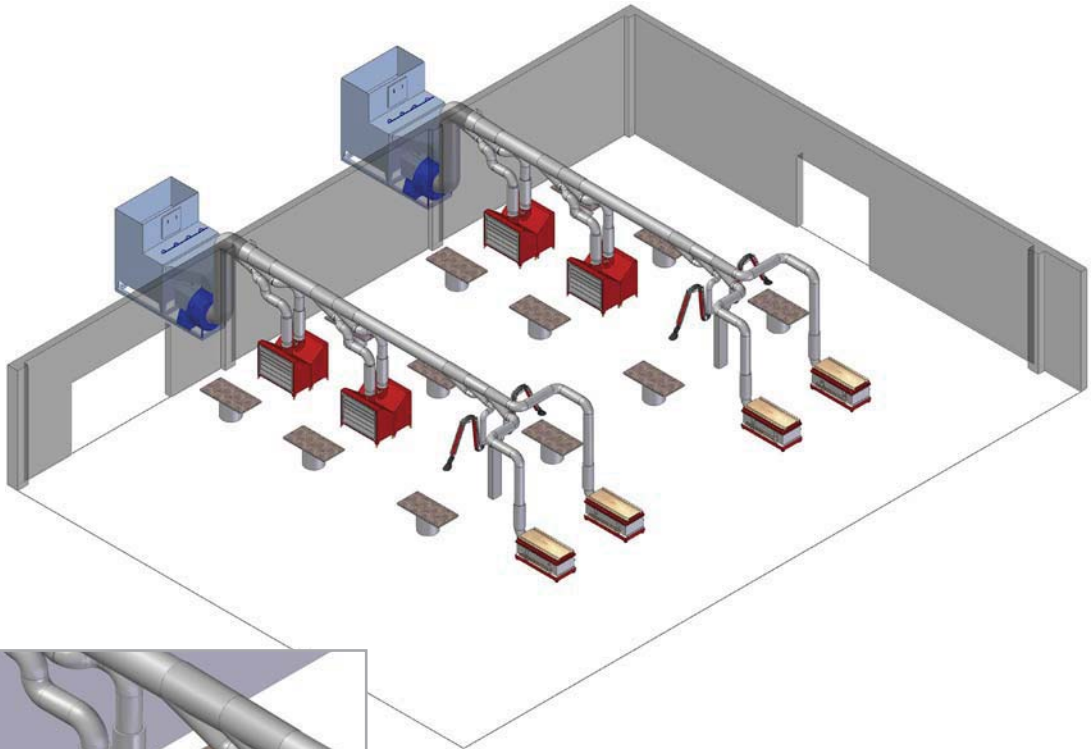
www.ghines.com





hydor

centralized unit



 **BLUELINE**
BY GHINES









Hydrofilters

	HYDOR 0.5/FS	HYDOR 1.0/FS	HYDOR 1.5/FS	HYDOR 2.0/FS
LENGTH (mm)	3900	4000	4150	4200
WIDTH (mm)	840	1400	2050	2700
HEIGHT (mm)	2950	3420	3420	3420
EMPTY WEIGHT (kg)	645	1055	1525	1985
TOTAL WEIGHT (kg)	1195	2025	2995	3845
EXTRACTION (m ³ /h)	6800	13700	20600	27500

Suction benches

	SPIRO/CA	SPIRO/SA
LENGTH (mm)	2360	2000
WIDTH (mm)	920	920
HEIGHT (mm)	920	920
WEIGHT (kg)	395	212

Suction walls

	TORA/CA	TORA/SA
LENGTH (mm)	2400	1750
WIDTH (mm)	830	830
HEIGHT (mm)	1550	1550
WEIGHT (kg)	375	184

